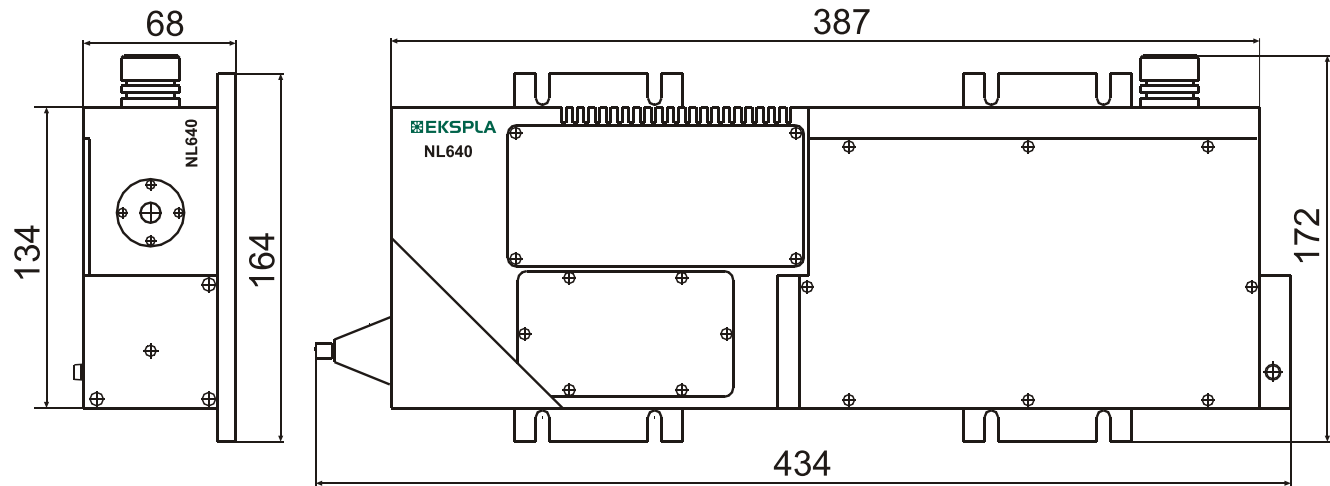
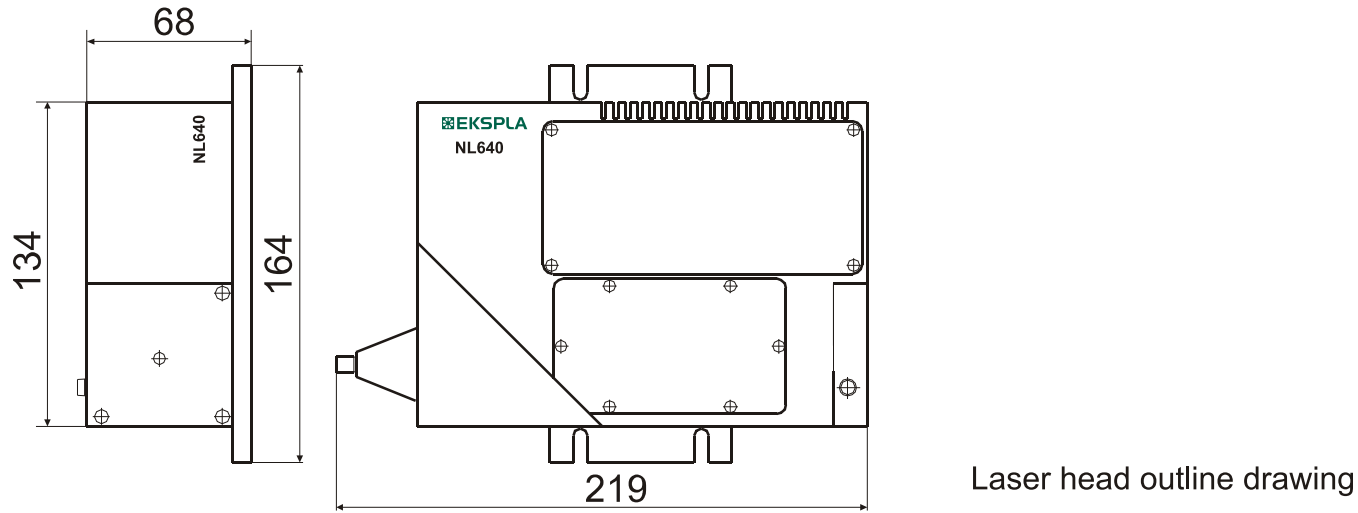


NL640 series laser head drawing



Laser head outline drawing with second harmonic (532 nm) unit